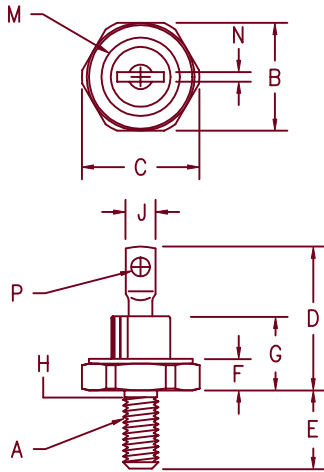


# Military Silicon Power Rectifier

## 1N1202A–1N1206A, 1N3671A–1N3673A



**Notes:**

1. 10–32 UNF3A
2. Full threads within 2 1/2 threads
3. Standard Polarity: Stud is Cathode  
Reverse Polarity: Stud is Anode

Dim.	Inches		Millimeter		Notes
	Minimum	Maximum	Minimum	Maximum	
A	---	---	---	---	1
B	.424	.437	10.77	11.10	
C	---	.505	---	12.83	
D	---	.800	---	20.32	
E	.422	.453	10.72	11.51	
F	.075	.175	1.91	4.44	
G	---	.405	---	10.29	
H	.163	.189	4.15	4.80	2
J	.100	.140	2.54	3.56	
M	---	.350	---	8.89	Dia
N	.020	.065	.510	1.65	
P	.070	.100	1.78	2.54	Dia

Microsemi Catalog Number	Peak Reverse Voltage
Standard Reverse	
1N1202A	200V
1N1204A	400V
1N1206A	600V
1N3671A	800V
1N3673A	1000V

### D0203AA (D04)

- Available in JAN, JANTX and JANTXV
- MIL-PRF-19500/260
- Glass passivated die
- Glass to metal seal construction
- 240 Amps surge rating
- $V_{RRM}$  to 1000 volts

Electrical Characteristics		
Average forward current	$I_F(AV)$ 12 Amps	$T_C = 150^\circ C$ , half sine wave, $R_{\theta JC} = 2.0^\circ C/W$
Maximum surge current	$I_{FSM}$ 240 Amps	8.3ms, half sine, $T_C = 200^\circ C$
Max $I^2 t$ for fusing	$I^2 t$ 240 A <sup>2</sup> s	
Max peak forward voltage	$V_{FM}$ 1.35 Volts	$I_{FM} = 38A; T_J = 25^\circ C^*$
Max peak reverse current	$V_{FM}$ 2.30 Volts	$I_{FM} = 240A; T_J = 25^\circ C$
Max peak reverse current	$I_{RM}$ 5 $\mu A$	$V_{RRM}, T_J = 25^\circ C$
Max peak reverse current	$I_{RM}$ 1.0 mA	$V_{RRM}, T_J = 150^\circ C$
Max Recommended Operating Frequency	10kHz	

\*Pulse test: Pulse width 300  $\mu sec$ . Duty cycle 2%

Thermal and Mechanical Characteristics		
Storage temperature range	$T_{STG}$	-65°C to 200°C
Operating case temp range	$T_C$	-65°C to 150°C
Maximum thermal resistance	$R_{\theta JC}$	2.0°C/W Junction to Case
Mounting torque		15 inch pounds maximum
Weight		.16 ounces (5.0 grams) typical

1-12-04 Rev. 2

# MILITARY

## 1N1202A-1N1206A, 1N3671A-1N3673A

Figure 1  
Typical Forward Characteristics

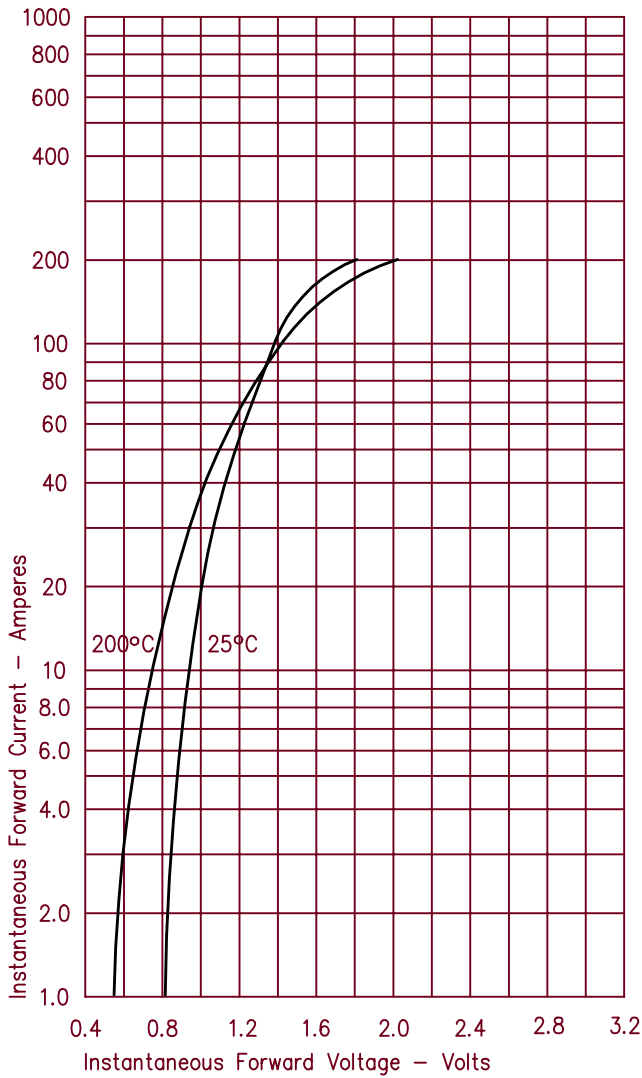


Figure 3  
Forward Current Derating

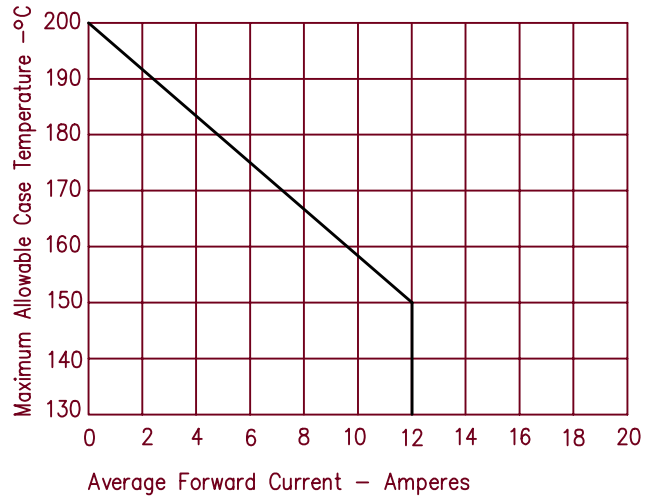


Figure 5  
Transient Thermal Impedance

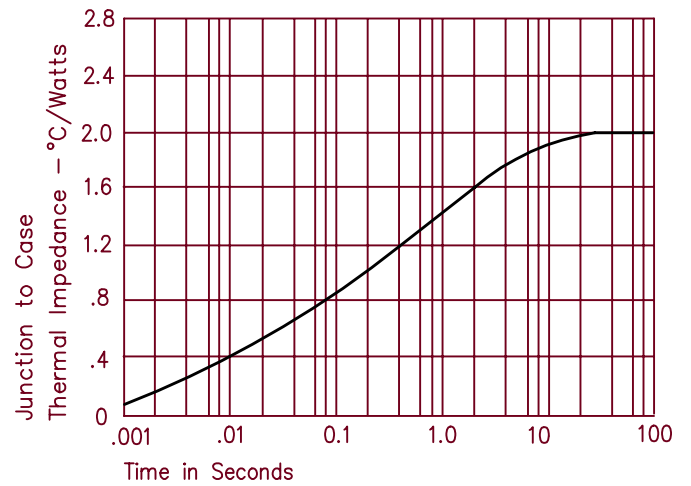


Figure 2  
Typical Reverse Characteristics

